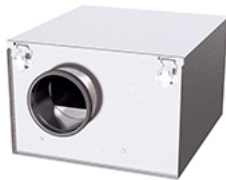


## IRE 125 B1

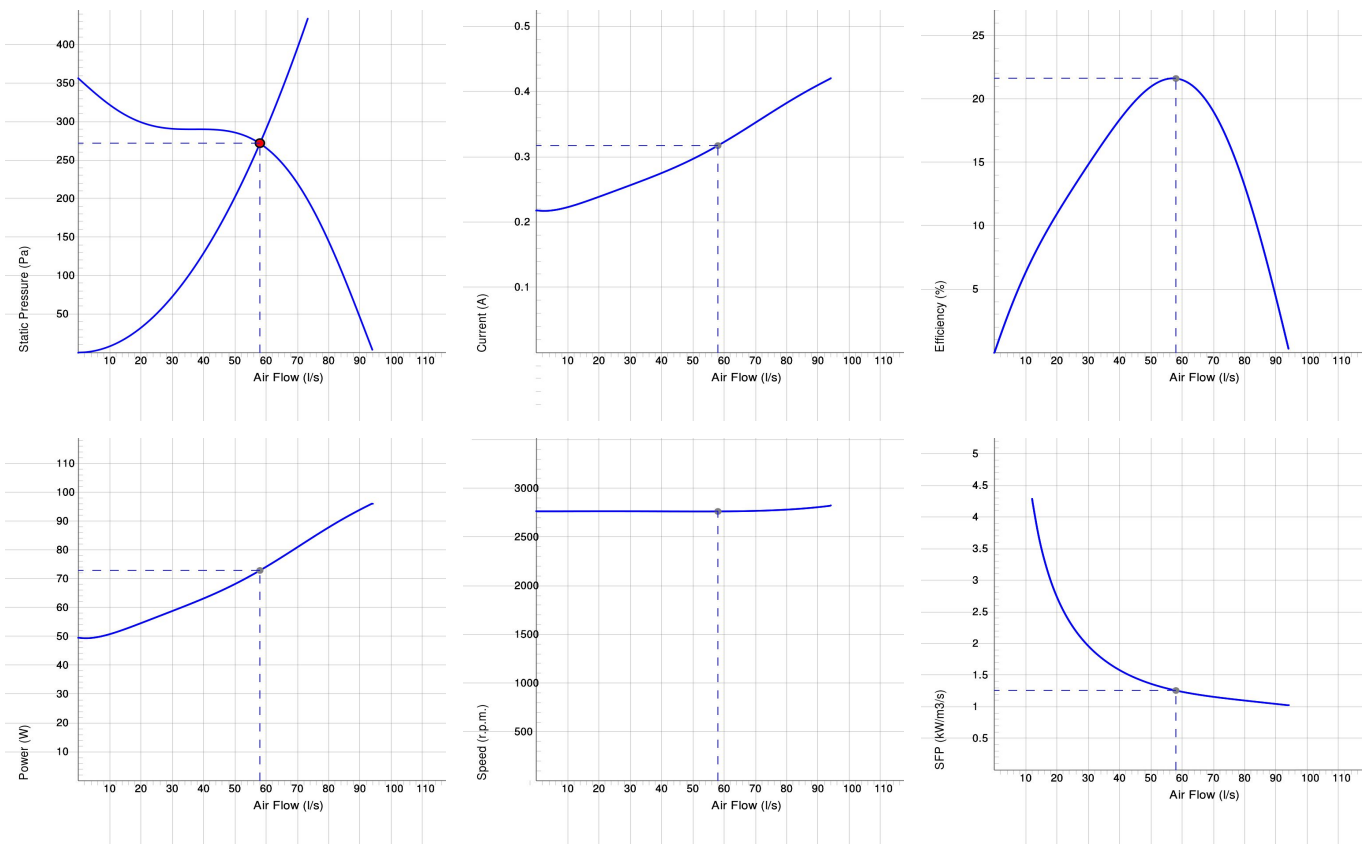


### IRE Circular

- Insulated duct fan with circular connections.
- Equipped with 50 mm of thermal and acoustic insulation makes it ideal for handling cold air.
- Designed for high pressure and long duct runs.
- The design priorities functionality, durability and longevity.
- Impeller with forward curved blades.
- The external rotor motor has maintenance-free sealed ball-bearings.
- Integrated motor protection.
- Junction box has enclosure class IP 54.
- For speed control a transformer or electronic speed controller can be connected.
- The housing is manufactured from galvanized sheet steel.
- Duct connections are equipped with rubber seals.
- The fan is intended to be installed in a duct system.
- When duct connected the fan can be installed outside or in damp environments.



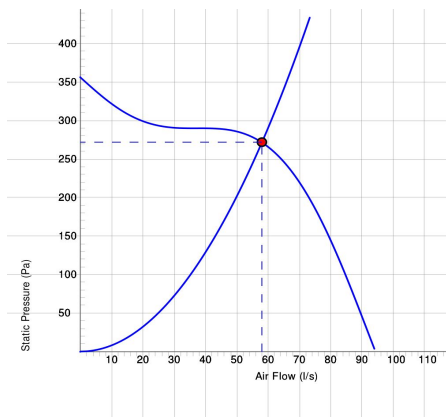
## DIAGRAMS



## Work Point

Air Flow (l/s)	Static Pressure (Pa)	Power (W)	Speed (r.p.m.)	Current (A)	Efficiency (%)	SFP (kW/m <sup>3</sup> s)	Voltage (V)
58	272	72.9	2763	0.317	21.6	1.26	230

## SOUND DATA



	Tot	63	125	250	500	1k	2k	4k	8k
Inlet Lw dB(A)	60	42	57	55	51	44	40	37	28
Outlet Lw dB(A)	69	54	61	61	64	62	60	53	43
Surrounding Lw dB(A)	43	34	35	39	34	32	28	27	28
Surrounding Lp dB (A) 3m	36	27	28	32	27	25	21	20	21

## Work Point

Air Flow (l/s) 58	Static Pressure (Pa) 272	Power (W) 72.9	Speed (r.p.m.) 2763	Current (A) 0.317	Efficiency (%) 21.6	SFP (kW/m3/s) 1.26	Voltage (V) 230
----------------------	-----------------------------	-------------------	------------------------	----------------------	------------------------	-----------------------	--------------------

## TECHNICAL DATA

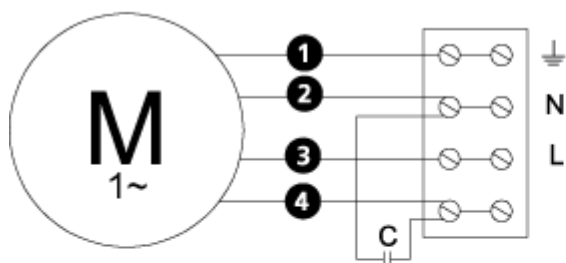
Parameter	IRE 125 B1 aut tp 7900075		IRE 125 B1 man tp 7900004	
	Value	Unit	Value	Unit
Voltage	230	V	230	V
Phase	1	~	1	~
Frequency	50	Hz	50	Hz
Power	99	W	99	W
Current	0.42	A	0.42	A
Speed	1650	r.p.m.	1650	r.p.m.
Max. temperature of transported air	70	°C	70	°C
Max. temperature of transported air when speed controlled	70	°C	70	°C
Sound pressure level at 3 m	35	dB(A)	35	dB(A)
Weight	9.7	kg	9.7	kg
Enclosure class	44	IP	44	IP
Insulation class, motor	F		F	
Capacitor	2	µF	2	µF
Duct connection	125 mm	mm	125 mm	mm
Max. flow	94	l/s	94	l/s
Max. pressure	356	Pa	356	Pa
Voltage range	220-240	V	220-240	V

## ECODESIGN

Parameter	Value	Unit
(a) Manufacturer	Östberg	-
(b) Model code	IRE 125 B1	-
(c) SEC value	-6.6	kWh/m <sup>2</sup>
SEC class	F	-
(d) Declared type	RVU / UVU	-
(e) Type of drive	Multi-speed drive (accessory)	-
(f) Type of heat recovery	N/A	-
(g) Thermal efficiency	N/A	%
(h) Max. flow rate (@100Pa)	305	m <sup>3</sup> /h
(i) Power at max. flow rate	91	kW
(j) Sound power level	42	dB LwA
(k) Reference flow rate	0.059	m <sup>3</sup> /s
(l) Reference pressure difference	268	Pa
(m) SPI	0.34	W/(m <sup>3</sup> /h)
(n) Type of control	Manual control	-
(o) External (internal) leakage rate	1.38	%
(p) Mixing rate	N/A	-
(q) Visual filter warning	N/A	-
(r) Instruction supply/exhaust grilles	See manual	-
(s) Disassembly instructions	<a href="http://www.ostberg.com">www.ostberg.com</a>	-
(t) Airflow sensitivity	N/A	-
(u) Air tightness	N/A	m/s
(v) AEC	1104	kWh
(w) AHS average	2005	kWh
AHS warm	907	kWh
AHS cold	3922	kWh

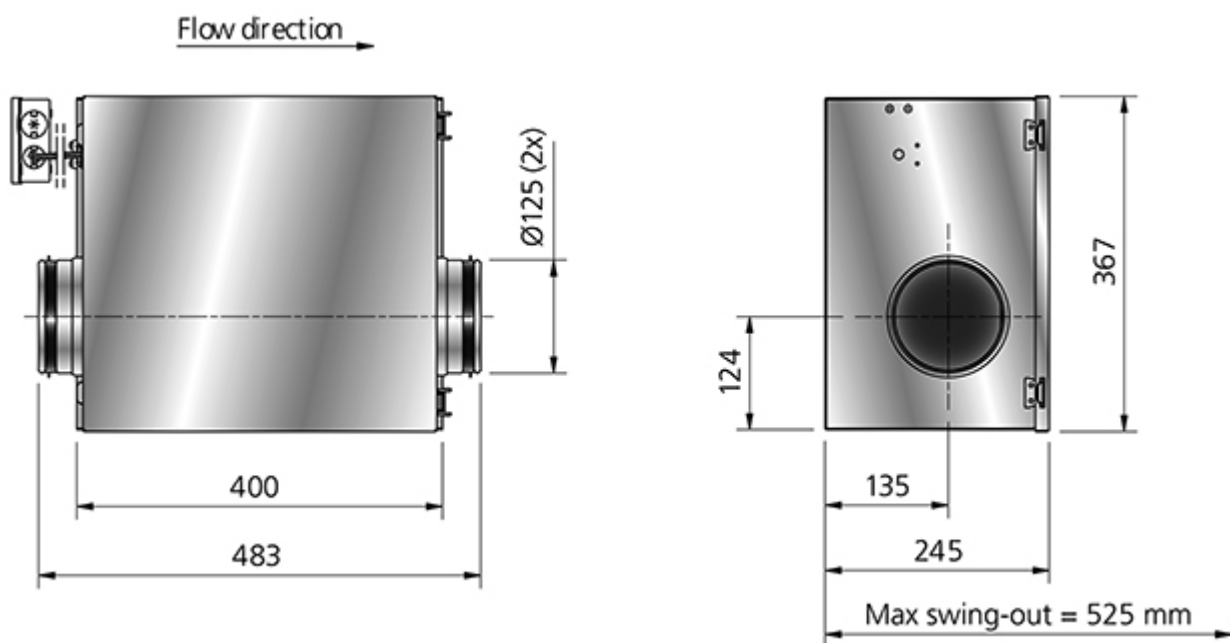
## WIRING DIAGRAM

4040001



- M** = Fan Motor
- M1** = Fan Motor
- M2** = Fan Motor
- M3** = Rotor Motor
- 1** = Yellow/Green
- 2** = Black
- 3** = Blue
- 4** = Brown
- 5** = White
- 6** = Orange
- 7** = Grey
- 8** = Red
- 9** = Green
- 10** = Violet
- 11** = Quick switch
- 12** = Yellow

## DIMENSIONS





## ACCESSORIES

### Electrical accessories



VRDE 1,5



VRTE C



VRS 0.5

### Mechanical accessories



BSV 125



LDC 125



Mounting bracket Kit MK 125  
Universal



RSK 125



VK 125