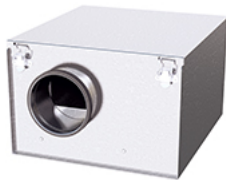


IRE 125 A1

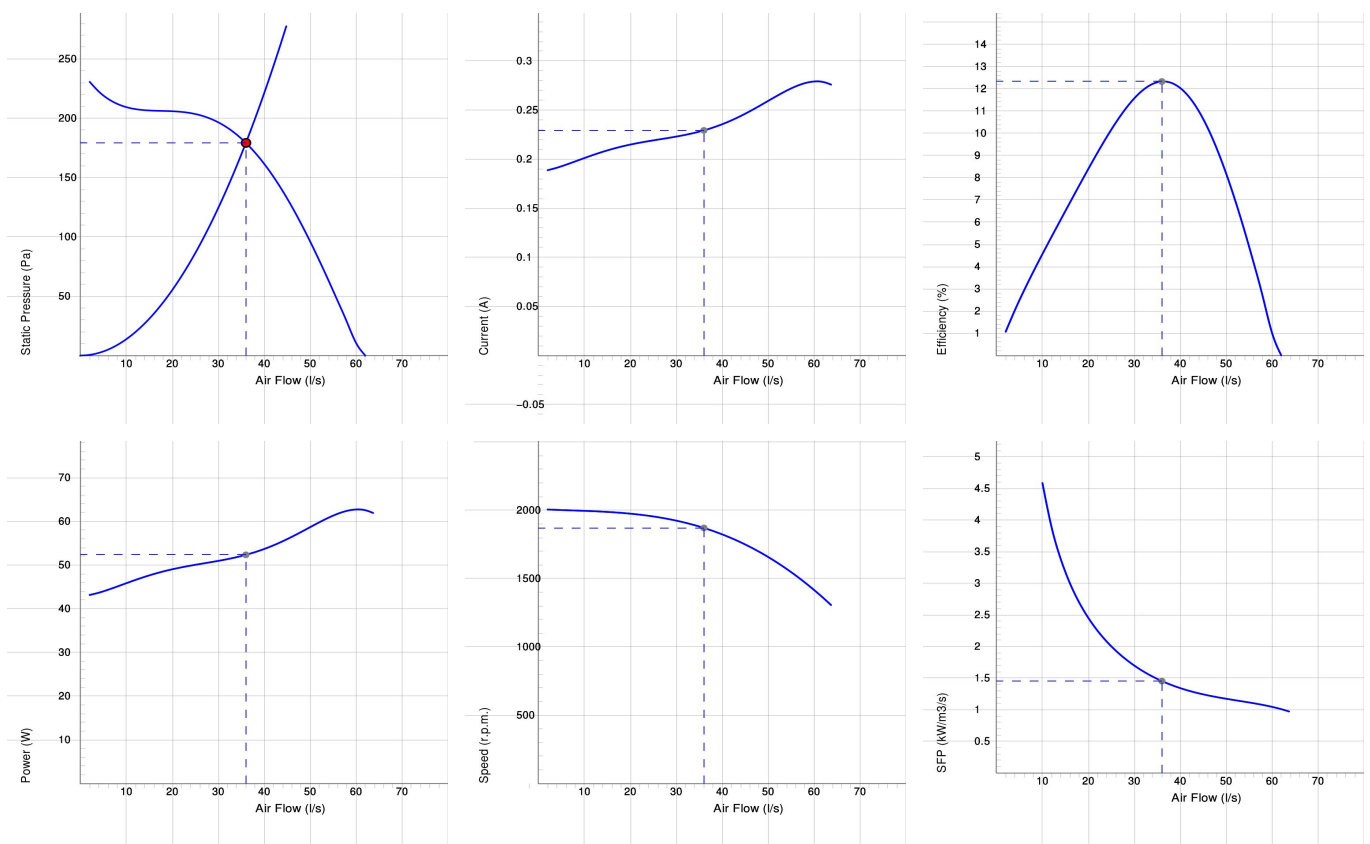


IRE Circular

- Insulated duct fan with circular connections.
- Equipped with 50 mm of thermal and acoustic insulation makes it ideal for handling cold air.
- Designed for high pressure and long duct runs.
- The design priorities functionality, durability and longevity.
- Impeller with forward curved blades.
- The external rotor motor has maintenance-free sealed ball-bearings.
- Integrated motor protection.
- Junction box has enclosure class IP 54.
- For speed control a transformer or electronic speed controller can be connected.
- The housing is manufactured from galvanized sheet steel.
- Duct connections are equipped with rubber seals.
- The fan is intended to be installed in a duct system.
- When duct connected the fan can be installed outside or in damp environments.



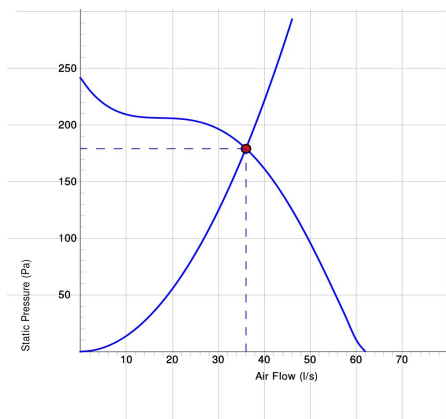
DIAGRAMS



Work Point

Air Flow (l/s)	Static Pressure (Pa)	Power (W)	Speed (r.p.m.)	Current (A)	Efficiency (%)	SFP (kW/m ³ /s)	Voltage (V)
36	179	52.3	1871	0.229	12.3	1.45	230

SOUND DATA



	Tot	63	125	250	500	1k	2k	4k	8k
Inlet Lw dB(A)	56	38	53	50	45	40	35	31	20
Outlet Lw dB(A)	64	50	57	57	58	58	54	46	35
Surrounding Lw dB(A)	38	27	32	33	29	28	25	26	27
Surrounding Lp dB (A) 3m	31	20	25	26	22	21	18	19	20

Work Point

Air Flow (l/s) 36	Static Pressure (Pa) 179	Power (W) 52.3	Speed (r.p.m.) 1871	Current (A) 0.229	Efficiency (%) 12.3	SFP (kW/m3/s) 1.45	Voltage (V) 230
----------------------	-----------------------------	-------------------	------------------------	----------------------	------------------------	-----------------------	--------------------

TECHNICAL DATA

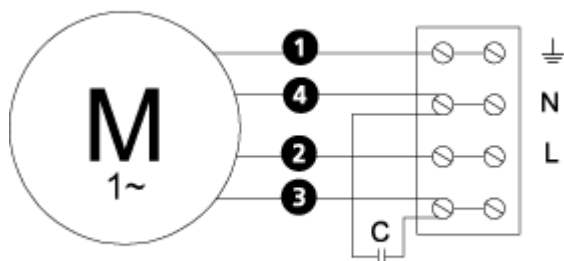
Parameter	IRE 125 A1 aut tp 7900073		IRE 125 A1 man tp 7900002	
	Value	Unit	Value	Unit
Voltage	230	V	230	V
Phase	1	~	1	~
Frequency	50	Hz	50	Hz
Power	61	W	61	W
Current	0.27	A	0.27	A
Speed	1130	r.p.m.	1130	r.p.m.
Max. temperature of transported air	70	°C	70	°C
Max. temperature of transported air when speed controlled	70	°C	70	°C
Sound pressure level at 3 m	28	dB(A)	28	dB(A)
Weight	9.7	kg	9.7	kg
Enclosure class	44	IP	44	IP
Insulation class, motor	F		F	
Capacitor	4	µF	4	µF
Duct connection	125	mm	125	mm
Max. flow	61	l/s	61	l/s
Max. pressure	240	Pa	240	Pa
Voltage range	220-240	V	220-240	V

ECODESIGN

Parameter	Value	Unit
(a) Manufacturer	Östberg	-
(b) Model code	IRE 125 A1	-
(c) SEC value	-4.1	kWh/m ²
SEC class	F	-
(d) Declared type	RVU / UVU	-
(e) Type of drive	Multi-speed drive (accessory)	-
(f) Type of heat recovery	N/A	-
(g) Thermal efficiency	N/A	%
(h) Max. flow rate (@100Pa)	178	m ³ /h
(i) Power at max. flow rate	58	kW
(j) Sound power level	35	dB LwA
(k) Reference flow rate	0.035	m ³ /s
(l) Reference pressure difference	184	Pa
(m) SPI	0.42	W/(m ³ /h)
(n) Type of control	Manual control	-
(o) External (internal) leakage rate	2.36	%
(p) Mixing rate	N/A	-
(q) Visual filter warning	N/A	-
(r) Instruction supply/exhaust grilles	See manual	-
(s) Disassembly instructions	www.ostberg.com	-
(t) Airflow sensitivity	N/A	-
(u) Air tightness	N/A	m/s
(v) AEC	1348	kWh
(w) AHS average	2005	kWh
AHS warm	907	kWh
AHS cold	3922	kWh

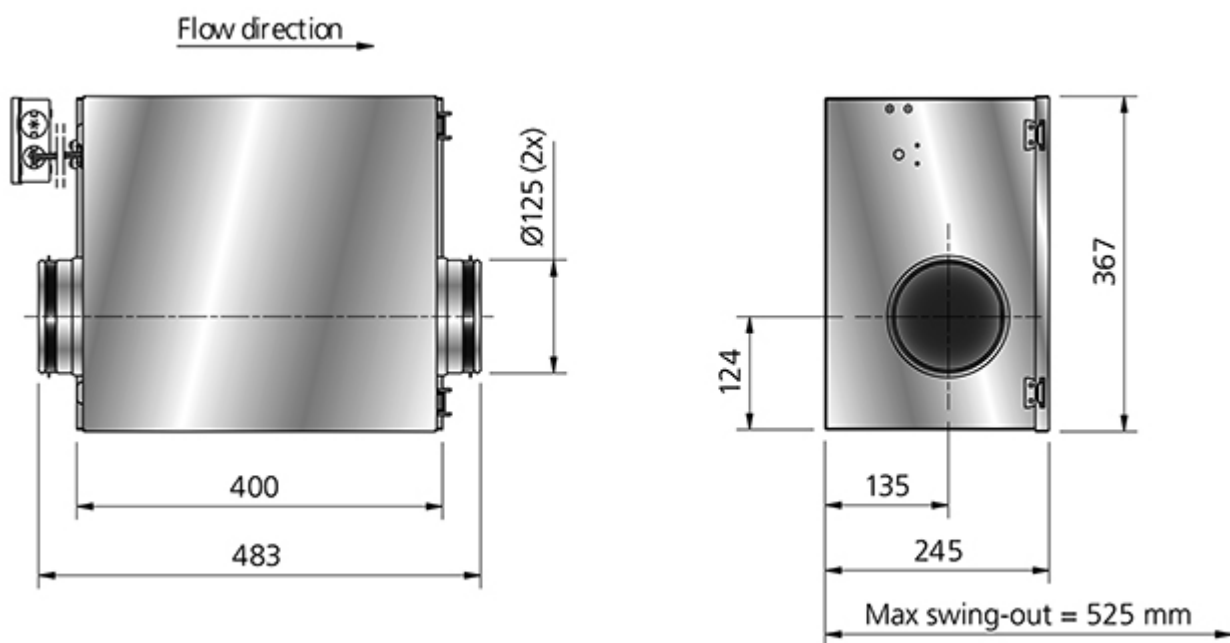
WIRING DIAGRAM

4040002



- (M)** = Fan Motor
- (M1)** = Fan Motor
- (M2)** = Fan Motor
- (M3)** = Rotor Motor
- 1** = Yellow/Green
- 2** = Black
- 3** = Blue
- 4** = Brown
- 5** = White
- 6** = Orange
- 7** = Grey
- 8** = Red
- 9** = Green
- 10** = Violet
- 11** = Quick switch
- 12** = Yellow

DIMENSIONS



ACCESSORIES

Electrical accessories



VRDE 1,5



VRS 0.5



VRTE C

Mechanical accessories



BSV 125



LDC 125



Mounting bracket Kit MK 125
Universal



RSK 125



VK 125