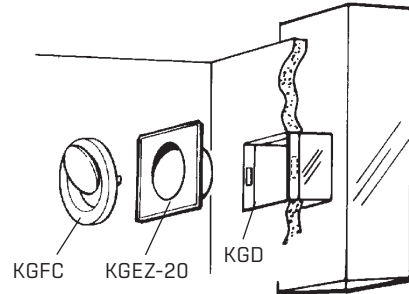
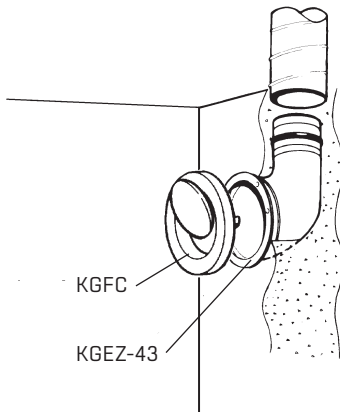
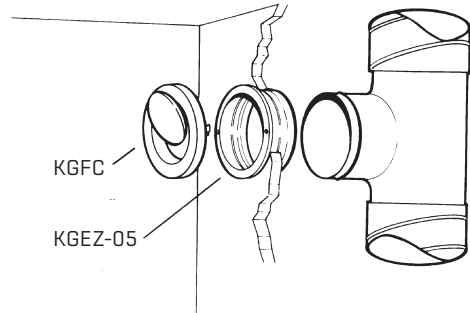
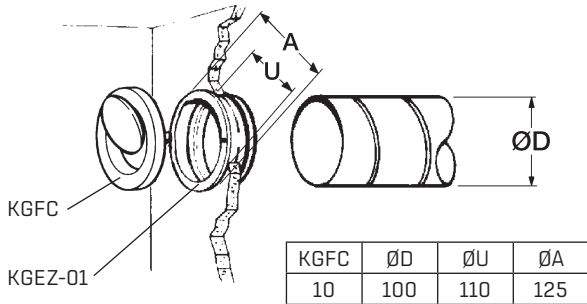


KGFC

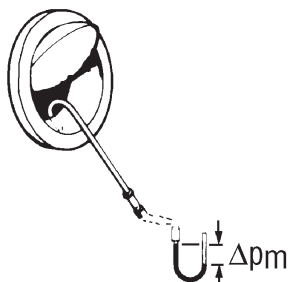
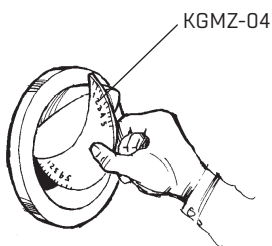
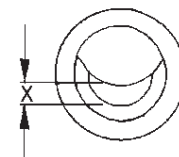


$$q = k \sqrt{\Delta p_m}$$

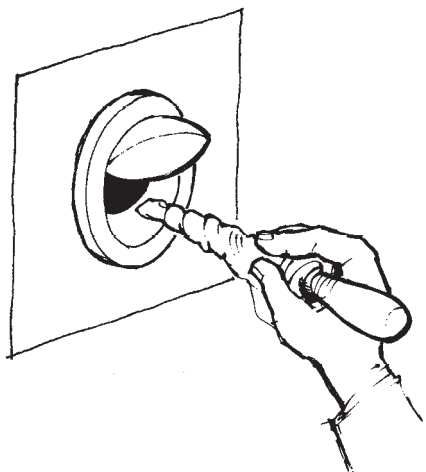
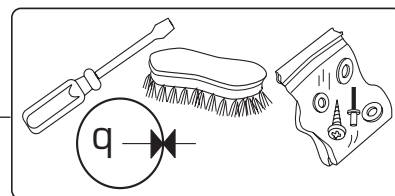
(l/s) (Pa)

$$q = 3.6k \sqrt{\Delta p_m}$$

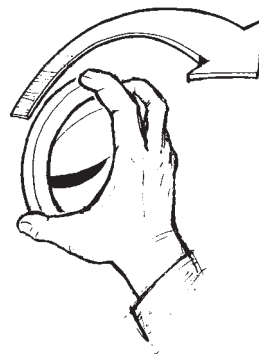
(m³/h) (Pa)



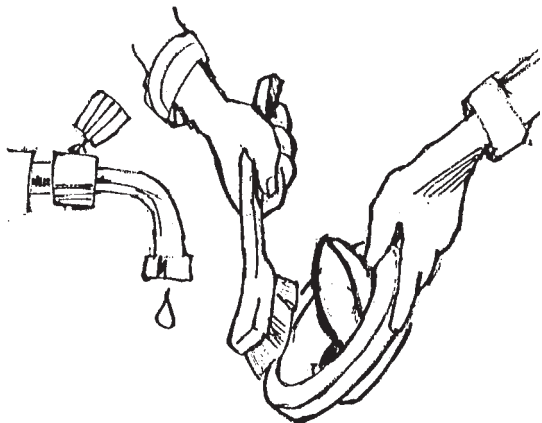
x (mm)	5	10	15	20	25	30	40	50
k	0.25	0.49	0.7	1.1	1.3	1.6	2.3	2.9



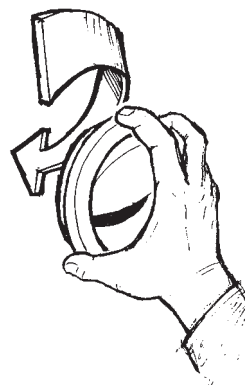
1



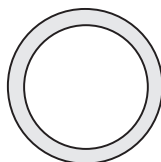
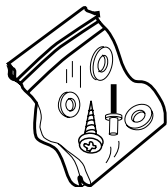
2



3



4



KGFC      ØD      COGZ-100-7  
100